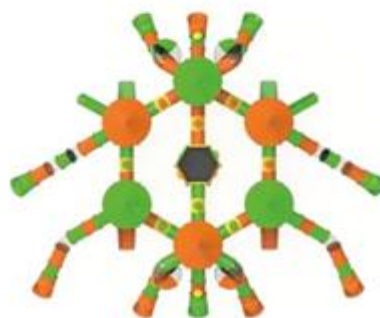


# PT-140



Age range  
5+



Number of Users  
20-25



Free Fall Height  
2,8 m



Height  
6,50 m



Assemble Area  
335 m<sup>2</sup>



Sitting Area  
16,66m\*20,05m

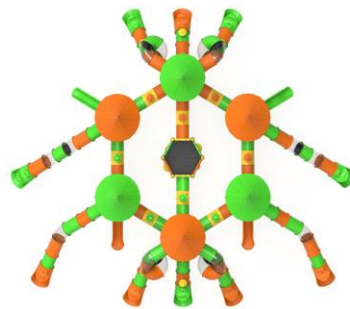
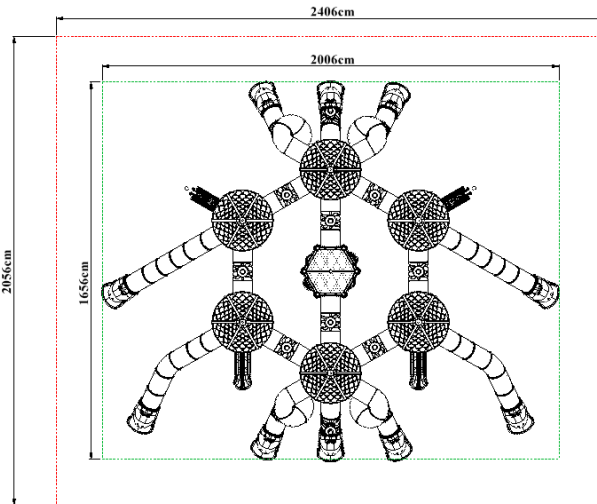
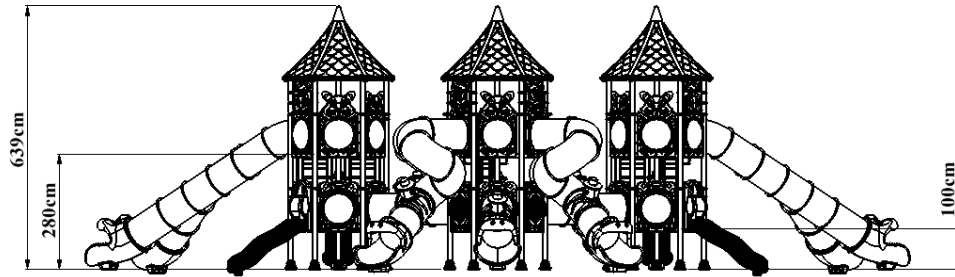


Safety Area  
20,66\*23,55m

## PRODUCT TREE

<b>HEXAGONAL ROOF</b>	<b>6</b>	<b>Piece</b>
<b>H:285 SPIRAL SLIDE WITH TRANSPARENT TUBE</b>	<b>4</b>	<b>Piece</b>
<b>H:285 SLIDE WITH TRANSPARENT TUBE</b>	<b>2</b>	<b>Piece</b>
<b>H:285 RIGHT CURVED SLIDE TUBE WITH TRANSPARENT TUBE</b>	<b>1</b>	<b>Piece</b>
<b>H:285 LEFT CURVED SLIDE TUBE WITH TRANSPARENT TUBE</b>	<b>1</b>	<b>Piece</b>
<b>H:100 FIGURED TUBE SLIDE</b>	<b>2</b>	<b>Piece</b>
<b>H:240 FIGURED TUBE PASSAGE</b>	<b>8</b>	<b>Piece</b>
<b>H:100 WAVY SLIDE</b>	<b>2</b>	<b>Piece</b>
<b>HAT FIGURED SLIDE ENTRY</b>	<b>2</b>	<b>Piece</b>
<b>DUCK FIGURED PANEL</b>	<b>6</b>	<b>Piece</b>
<b>MOUSE FIGURED PANEL</b>	<b>6</b>	<b>Piece</b>
<b>CAT PANEL WITH BELL JAR</b>	<b>22</b>	<b>Piece</b>
<b>H:100 CATERPILLAR STAIRS</b>	<b>4</b>	<b>Piece</b>
<b>LION FIGURED PANEL</b>	<b>4</b>	<b>Piece</b>
<b>BUGS BUNNY SLIDE ENTRY</b>	<b>8</b>	<b>Piece</b>
<b>PLASTIC CLAMP WITH STRAIGHT CONNECTION PART</b>	<b>196</b>	<b>Piece</b>
<b>ANCHORAGE COVER</b>	<b>42</b>	<b>Set</b>
<b>BELL JAR PANEL</b>	<b>2</b>	<b>Piece</b>
<b>CAT &amp; MOUSE FIGURED PANEL</b>	<b>2</b>	<b>Piece</b>
<b>CAT &amp; LION FIGURED PANEL</b>	<b>2</b>	<b>Piece</b>
<b>CAT &amp; DUCK FIGURED PANEL</b>	<b>2</b>	<b>Piece</b>
<b>SCREW HIDING</b>	<b>512</b>	<b>Piece</b>
<b>Ø114 HAT PLUG</b>	<b>6</b>	<b>Piece</b>
<b>470 CM TOWER PIPE</b>	<b>42</b>	<b>Piece</b>
<b>100 CM TOWER PIPE</b>	<b>1</b>	<b>Piece</b>
<b>225 CM TOWER PIPE</b>	<b>6</b>	<b>Piece</b>
<b>H:185 INNER STAIRS AND RAILS</b>	<b>6</b>	<b>Set</b>
<b>HEXAGONAL PLATFORM</b>	<b>7</b>	<b>Piece</b>
<b>HALF HEXAGONAL PLATFORM</b>	<b>6</b>	<b>Piece</b>
<b>TRIANGLE PLATFORM</b>	<b>12</b>	<b>Piece</b>
<b>Ø27 PANEL INNER PIPE</b>	<b>90</b>	<b>Piece</b>

# TECHNICAL DRAWING



## **Load-bearing Construction**

- Tower, slide, roof, ladder, railing, etc. The main columns that will carry the playgroup elements are manufactured from industrial pipes with a diameter of 114 mm and a wall thickness of min. 2 mm.
- The open top parts of the 114 mm diameter industrial pipes are closed and riveted with self-colored plastic pipe plugs shaped with injection molds in the form of a hemisphere with a wall thickness of 4-6 mm, detailed to prevent corrosion caused by water and moisture.

## **Polyethylene Products**

- The raw material of polyethylene materials to be used in playgrounds is low density linear polyethylene.
- Original raw materials that do not contain any chemicals that may harm children's health and that have EN 1176-1.3 certificate are used.
- In order to prevent electrification, an anti-static agent is added to the polyethylene.
- There is no zinc in the paints used in the polyethylene raw material and the light sensitivity is between 6-8 scales.
- In polyethylene materials, the thickness is at least 5 mm in areas where there is friction and pressure.

## **Electrostatic Paint**

- After all metal parts are manufactured, they are immersed in an iron phosphate bath with 1% concentration at 50 degrees for 15 minutes after rinsing in the dust and degreasing bath with 5% concentration at 70 degrees for 10 minutes.
- Afterward, it is rinsed with clean water again and drying processes are carried out.
- Before the static paint process, sanding is applied in a way to prevent rusting, which may be caused by dust and particles that can settle on the metal parts as a result of air circulation during the drying phase during the resting period.
- After this stage, the material is covered with polyester-based powder paint with a thickness of 60-80 microns, which prevents heating (color fading) in the sun, and then it is heated in an oven at a temperature of at least 200-220 degrees for 10 minutes, and the painting process is completed.

# Pipes

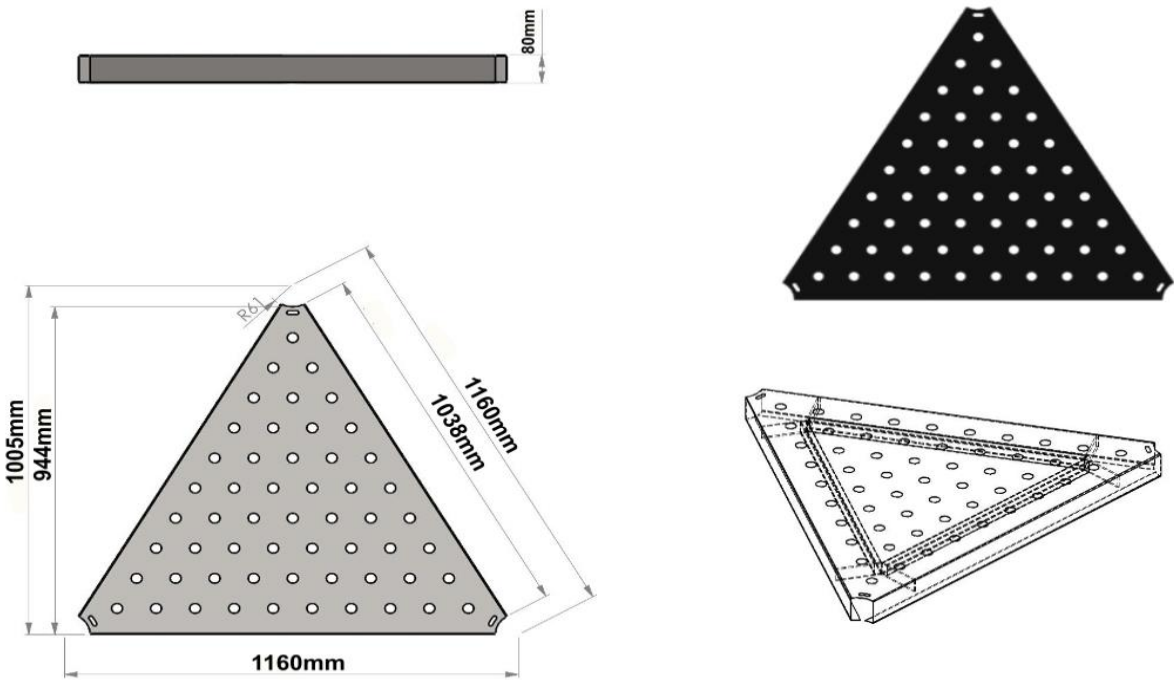
- Tower pipes; It is manufactured from SDM pipe with a height of 100 cm, 225 cm, 470 cm a diameter of 114 mm, and a wall thickness of min. 2 mm.
- The tower pipes are produced in one piece and perfectly, from horizontal and vertical pipes in length cut according to the determined heights, with a minimum of 2250 mm.
- Pipes with seam marks on the surface are not used in production.
- Adding the length of the pipes, welding, etc. is not extended by the procedure.
- In order to prevent water, moisture, and foreign matter from entering the upper parts of these pipes, colored plastic pipe plugs produced by the injection method are fixed and closed to the pipes with a riveting system.
- The connection points of the pipes with the concrete floor are joined by the sheet metal flange welding method with the size of 20\*20\*6 mm.
- Connection of the Tower Pipes with the platform the half-moon-shaped ears welded according to the platform size, produced from 6 mm wall thickness, are welded to the pipes and these ears are connected to the platform with the screwing system by means of galvanized bolts and nuts.
- A polyester-based electrostatic powder paint coating process is performed and it is baked in a 200°C oven for 20 minutes.
- Tower pipes are closed with anchor caps produced by injection after assembly.
- 100 cm high, Ø27 elektrostatic panel inner pipe is used.



<b>Dimensions</b>	Diameter	114 mm
	Wall Thickness	Min. 2 mm

# Triangle Platform

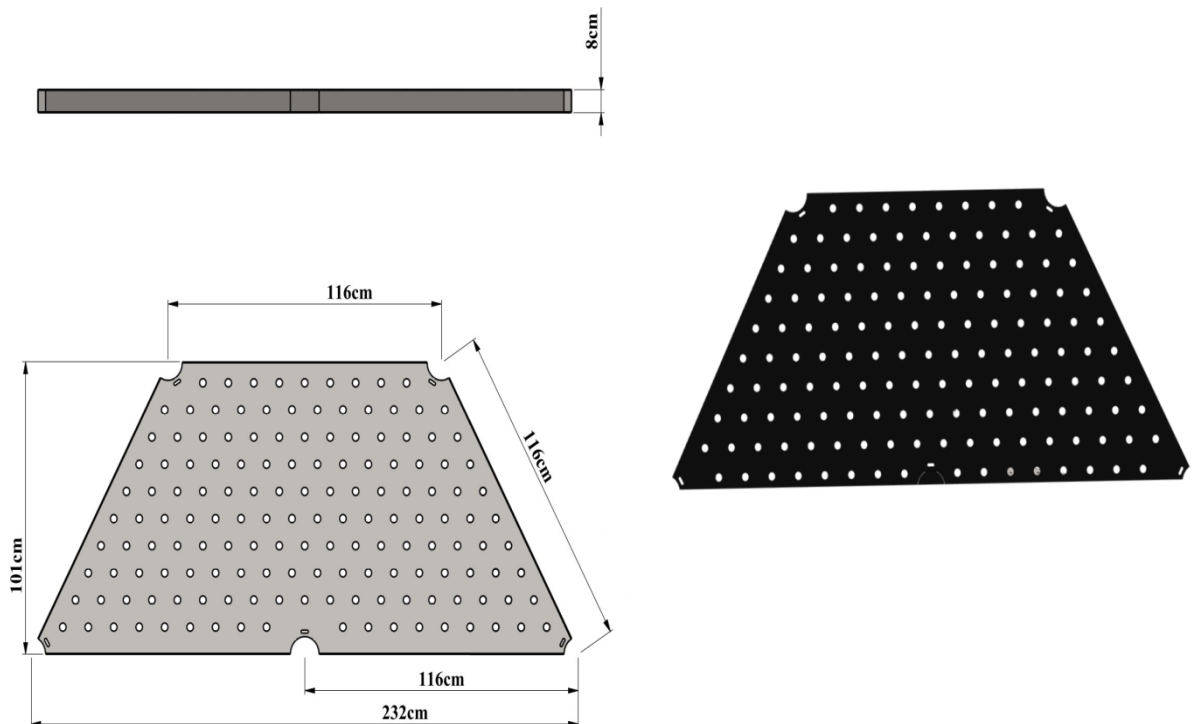
- The platform is manufactured from perforated sheet metal with a minimum size of 116 cm x 116 cm x 116 cm and a minimum wall thickness of 1.5 mm-2 mm.
- Flat designed surface; It is designed to prevent slipping and not allow water retention.
- In the middle of the platform, support sheets are welded to the lower part in order to prevent the sheet from flexing.
- The corners of the platform are manufactured in the form of a quarter circle, enclosing the 114 mm pipe.
- Before the coating process, the sheets are washed with special chemicals, cleared of oil and dirt that will prevent the coating on them, and then coated with the priming method.
- After the priming process, the upper surface of the platform is hot-dip method with an anti-static material mixture with a hardness of  $-60 \pm 5$  share A, a density of 1 gr/cm<sup>3</sup>, minimum kgf/cm<sup>2</sup> breaking strength, 650-700% breaking elongation, and 100 m<sup>3</sup> (max) abrasion. PVC (Plastisol) coating is made.
- PVC thickness is produced at a minimum of 2 mm at each point.



<b>Dimensions</b>	Platform Dimensions	116*116*116 cm
	Sheet Thickness	2 mm - 8 cm
<b>Features</b>	Plastisol Coated Platform	

## Half Hexagonal Platform

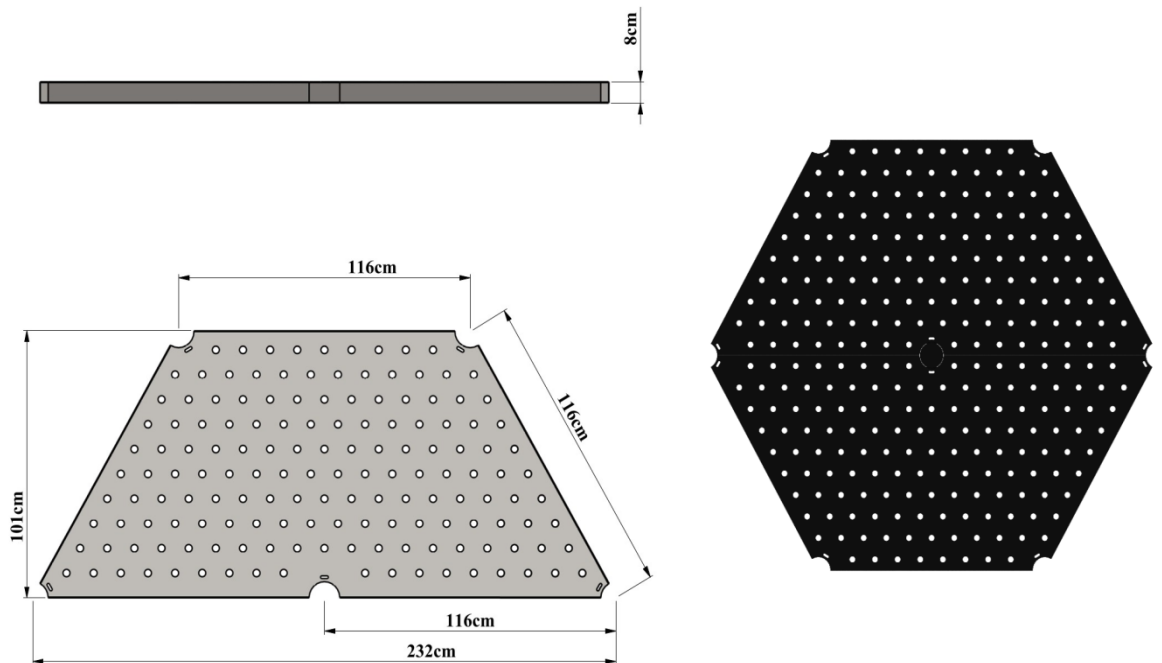
- The platform is manufactured from perforated sheet metal with a minimum size of 116 cm x 116 cm x 116 cm x 232 cm and a minimum wall thickness of 1.5 mm-2 mm.
- Flat designed surface; It is designed to prevent slipping and not allow water retention.
- In the middle of the platform, support sheets are welded to the lower part in order to prevent the sheet from flexing.
- The corners of the platform are manufactured in the form of a quarter circle, enclosing the 114 mm pipe.
- Before the coating process, the sheets are washed with special chemicals, cleared of oil and dirt that will prevent the coating on them, and then coated with the priming method.
- After the priming process, the upper surface of the platform is hot-dip method with an anti-static material mixture with a hardness of  $-60 \pm 5$  share A, a density of 1 gr/cm<sup>3</sup>, minimum kgf/cm<sup>2</sup> breaking strength, 650-700% breaking elongation, and 100 m<sup>3</sup> (max) abrasion. PVC (Plastisol) coating is made.
- PVC thickness is produced at a minimum of 2 mm at each point.



<b>Dimensions</b>	Platform Dimensions	116*116*116*232 cm
	Sheet Thickness	2 mm - 8 cm
<b>Features</b>	Plastisol Coated Platform	

## Hexagonal Platform

- The hexagonal platform is obtained by combining 2 half-hexagonal platforms. The platform is manufactured from perforated sheet metal with a minimum size of 116 cm x 116 cm x 116 cm x 232 cm x 8 cm and a minimum wall thickness of 1.5 mm-2 mm.
- Flat designed surface; It is designed to prevent slipping and not allow water retention.
- In the middle of the platform, support sheets are welded to the lower part in order to prevent the sheet from flexing.
- The corners of the platform are manufactured in the form of a quarter circle, enclosing the 114 mm pipe.
- Before the coating process, the sheets are washed with special chemicals, cleared of oil and dirt that will prevent the coating on them, and then coated with the priming method.
- After the priming process, the upper surface of the platform is hot-dip method with an anti-static material mixture with a hardness of  $-60 \pm 5$  share A, a density of 1 gr/cm<sup>3</sup>, minimum kgf/cm<sup>2</sup> breaking strength, 650-700% breaking elongation, and 100 m<sup>3</sup> (max) abrasion. PVC (Plastisol) coating is made.
- PVC thickness is produced at a minimum of 2 mm at each point.

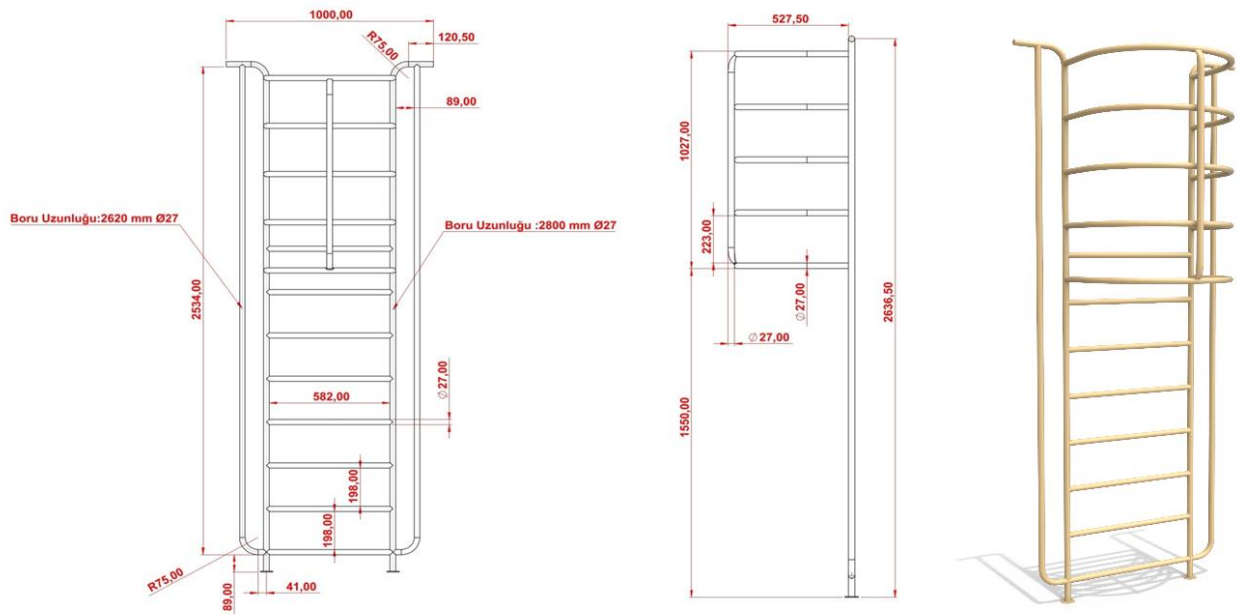


<b>Dimensions</b>	Platform Dimensions	116*116*116*232
	Sheet Thickness	2 mm - 8 cm
<b>Features</b>	Plastisol Coated Platform	



## H:185 Inner Stair

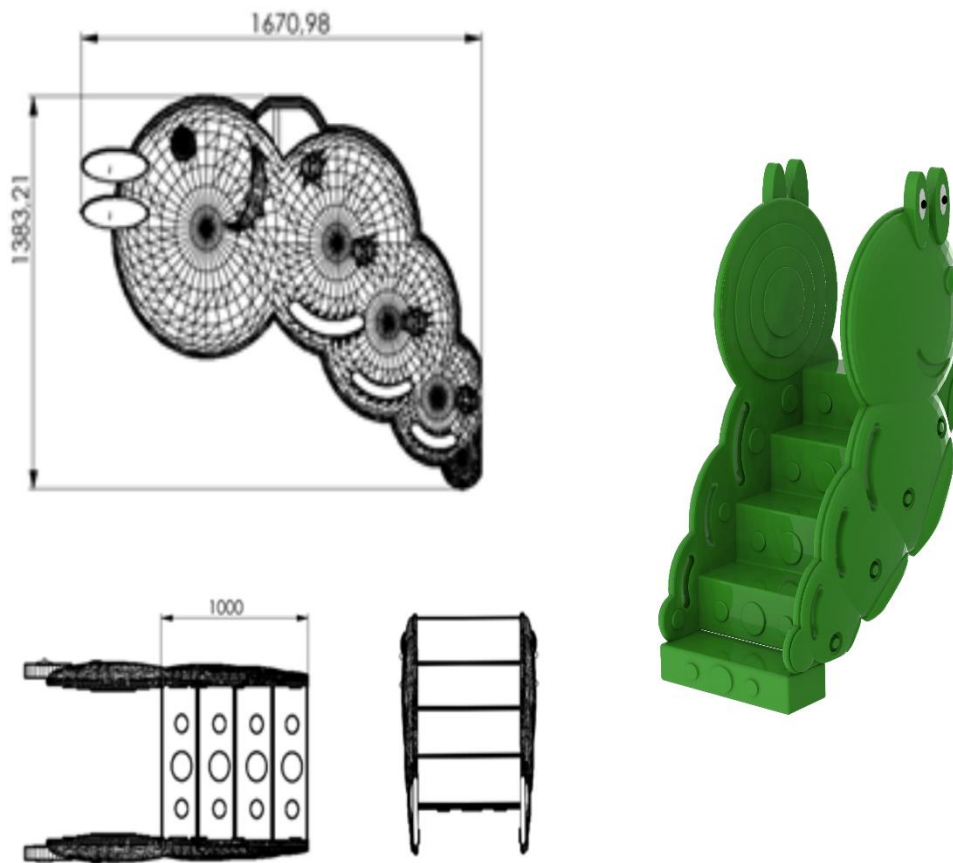
- The ladder is manufactured in such a way that it can reach 185 cm elevation difference from the tower to the platform.
- Ladders are manufactured from  $\varnothing 27$  mm pipe by bending the outer part and welding the pipe that will come to the 3 straight step parts to each other.
- It will be fixed to the  $\varnothing 114$  mm pipes by screwing to the platform from the ears on the lower part by attaching the vertical mouth and clamp.
- Stairs will be painted with polyester-based electrostatic powder paint after the welding process is completed.



<b>Dimensions</b>	Platform Height	185 cm
<b>Features</b>	Electrosatatic paint Stairs + Metal Railing	

## H:100 Plastic Stair

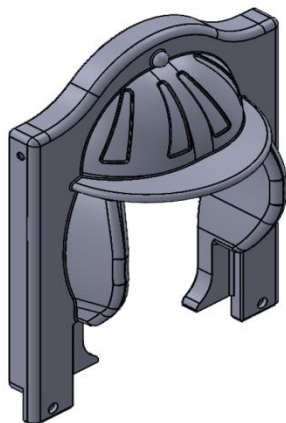
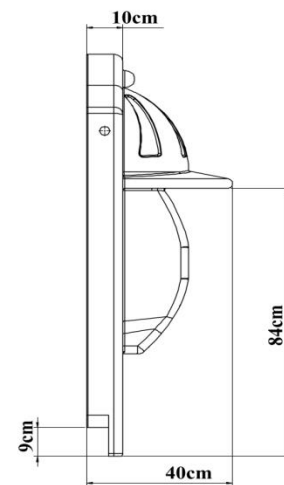
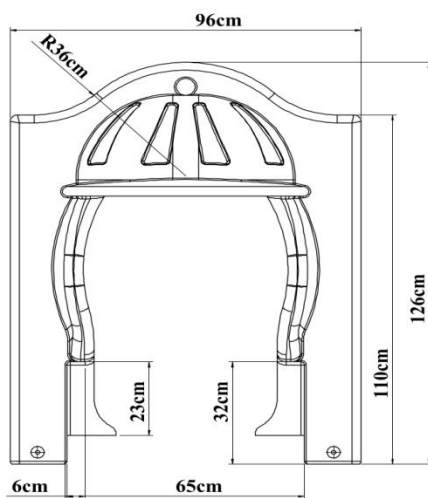
- The stair is manufactured from self-colored polyethylene plastic material, LLDPE (Linear Low Density Polyethylene) rotation molding method, with a minimum of 4 steps, in a way that can reach 100 cm level difference from the ground to the platform.
- There are patterns designed for children on the stair railing.
- Stair railing is manufactured from self-colored polyethylene plastic material LLDPE (Linear Low Density Polyethylene) by rotation molding method.
- In order for the product surface to be smooth; Sandblasting is applied to the surface of the mold made of aluminum or equivalent material and it is produced by passing the Teflon coating process for surface brightness.



<b>Dimensions</b>	Platform Height	100 cm
	Railing Height	167 cm
	Railing Width	138 cm
<b>Features</b>	min. Weight	50 kg
	Raw materials	LLDPE

## Flat Slide Entrance With Hat

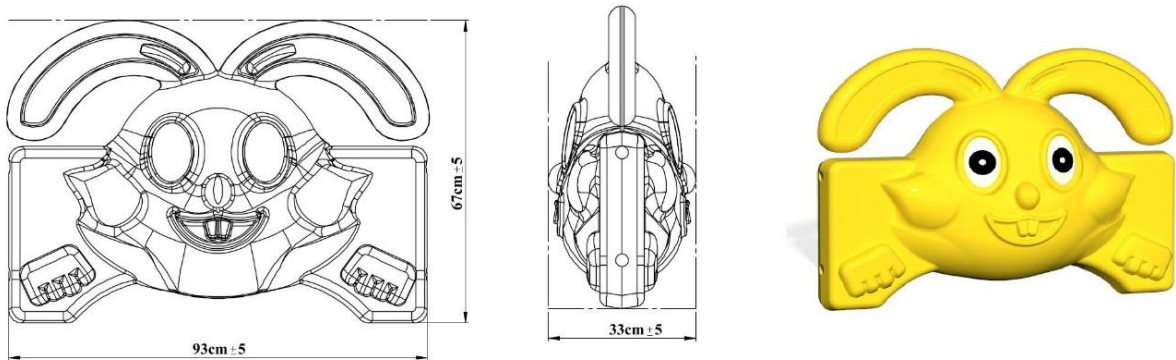
- It is manufactured from self-colored polyethylene plastic material as a one-piece and double-walled by rotation molding method with low density (LLDPE Linear Low-Density Polyethylene) designed to prevent falling into the slide entrances.
- Plastic clamps and vertical mouth connection apparatuses are attached to the  $\text{Ø } 27 \text{ mm}$  inner pipe ends attached to the slides, and the  $\text{Ø } 114 \text{ mm}$  tower is fixed to the pipes and screwed from the parts of the panels that sit on the platform.
- In order for the product surface to be smooth; It is produced by sandblasting the surface of the mold made of aluminum or its equivalent material and undergoing a Teflon coating process for surface brightness.



<b>Dimensions</b>	Height	126 cm
	Width	96 cm
	Panel thickness	40 cm
<b>Features</b>	Min Weight	8 kg
	Raw material	LLDPE

## Bugs Bunny Slide Entry

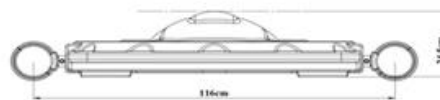
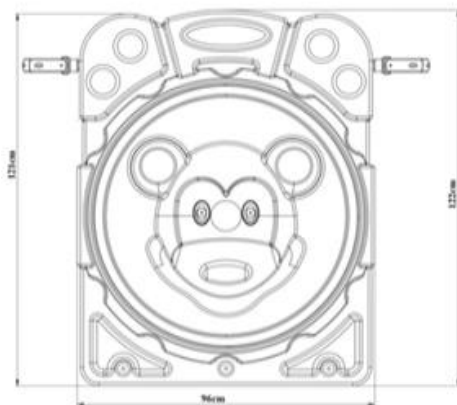
- Bugs Bunny Slide Entry are manufactured from self-colored polyethylene LLDPE (Linear Low-Density Polyethylene) material as double-walled by rotation molding method.
- Bugs Bunny Slide Entry are fixed to the main construction with the help of a polyamide-based clamp system with galvanized pipes of 67\*93 cm dimensions, Ø 27 mm diameter from the top, and 2 mm wall thickness.
- The dyestuffs used in coloring are suitable for child health.



<b>Dimensions</b>	Height	67 cm
	Width	93 cm
	Panel thickness	33 cm
<b>Features</b>	Min Weight	4,5 kg

## Rat Figured Panel

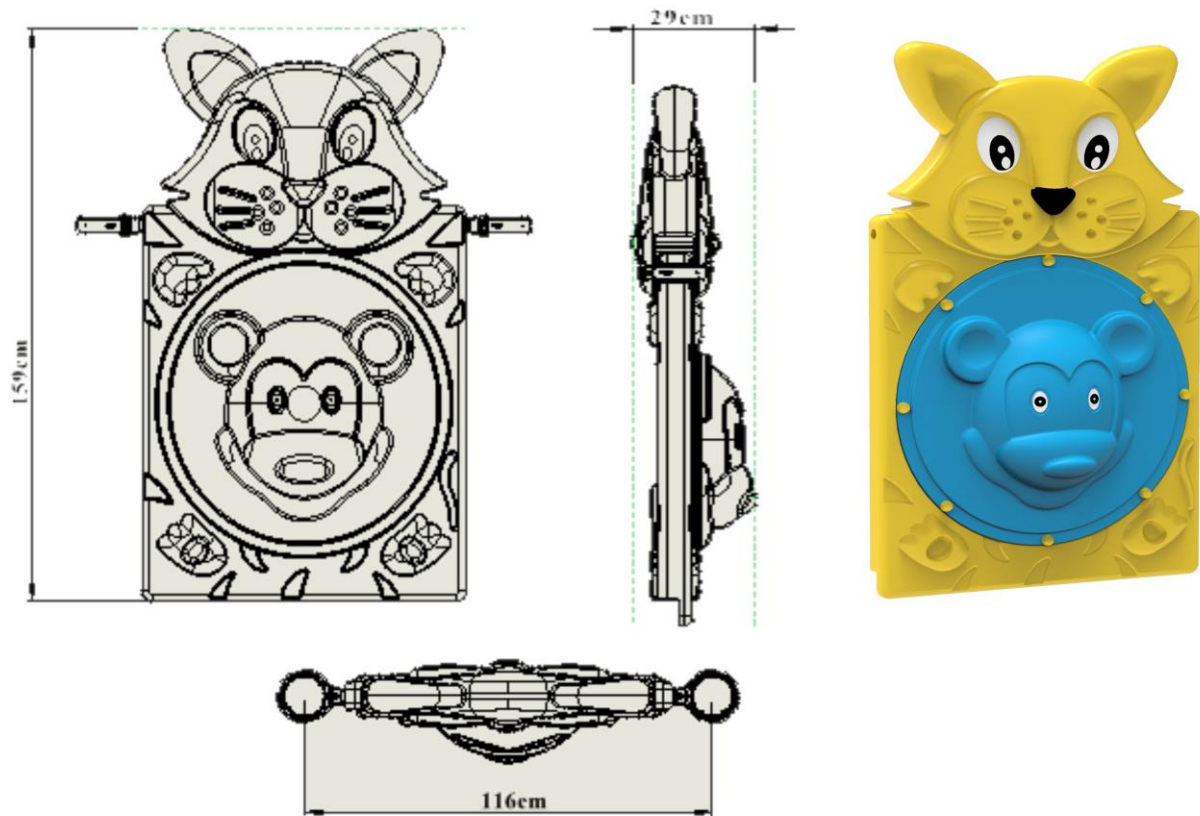
- Rat figured panels are manufactured from self-colored polyethylene LLDPE (Linear Low-Density Polyethylene) material as double-walled by rotation molding method.
- The Rat figured panels are fixed to the main construction with the help of a polyamide-based clamp system with pipes of 95x122 cm dimensions, Ø 27 mm diameter from the top.
- The dyestuffs used in coloring are suitable for child health.



<b>Dimensions</b>	Height	122 cm
	Width	95 cm
	Panel thickness	35,4 cm
<b>Features</b>	Min Weight	12,5 kg
	Raw material	LLDPE

## Cat-Rat Figured Panel

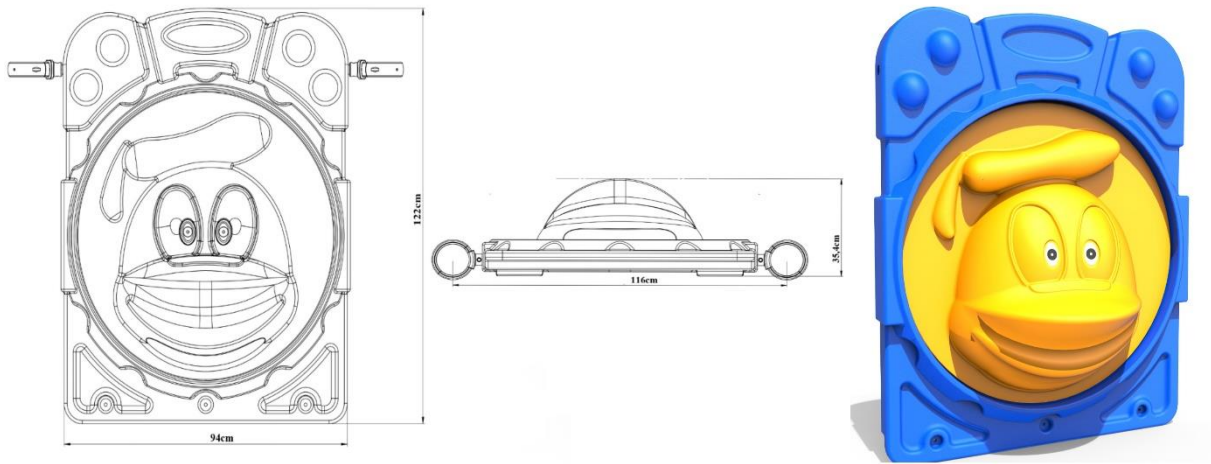
- Cat-Rat figured panels are manufactured from self-colored polyethylene LLDPE (Linear Low-Density Polyethylene) material as double-walled by rotation molding method.
- The Cat-Rat figured panels are fixed to the main construction with the help of a polyamide-based clamp system with pipes of 94x159 cm dimensions, Ø 27 mm diameter from the top.
- The dyestuffs used in coloring are suitable for child health.



<b>Dimensions</b>	Height	159 cm
	Width	94 cm
	Panel thickness	29 cm
<b>Features</b>	Min Weight	15 kg
	Raw material	LLDPE

## Duck Figured Panel

- Duck figured panels are manufactured from self-colored polyethylene LLDPE (Linear Low-Density Polyethylene) material as double-walled by rotation molding method.
- The Duck figured panels are fixed to the main construction with the help of a polyamide-based clamp system with pipes of 95x122 cm dimensions Ø, 27 mm diameter from the top.
- The dyestuffs used in coloring are suitable for child health.

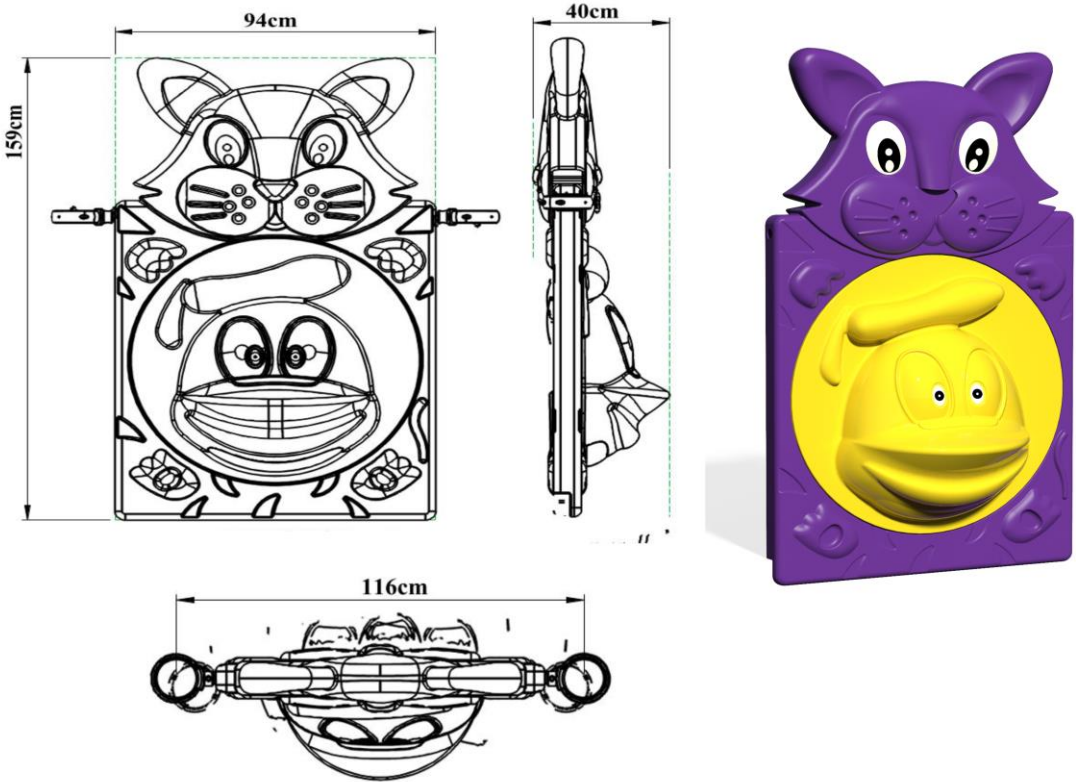


<b>Dimensions</b>	Height	122 cm
	Width	95 cm
	Panel thickness	35,4 cm
<b>Features</b>	Min Weight	12,5 kg
	Raw material	LLDPE



# Cat-Duck Figured Panel

- Cat-Duck figured panels are manufactured from self-colored polyethylene LLDPE (Linear Low-Density Polyethylene) material as double-walled by rotation molding method.
- The Cat-Duck figured panels are fixed to the main construction with the help of a polyamide-based clamp system with pipes of 94x159 cm dimensions Ø, 27 mm diameter from the top.
- The dyestuffs used in coloring are suitable for child health.

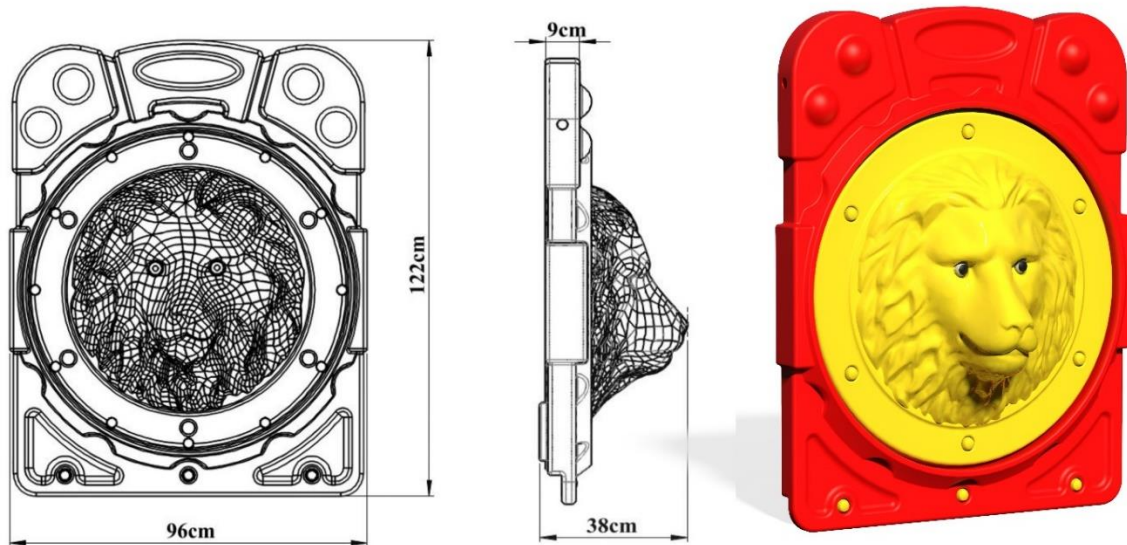


<b>Dimensions</b>	Height	159 cm
	Width	94 cm
	Panel thickness	40 cm
<b>Features</b>	Min Weight	15 kg
	Raw material	LLDPE



## Lion Figured Panel

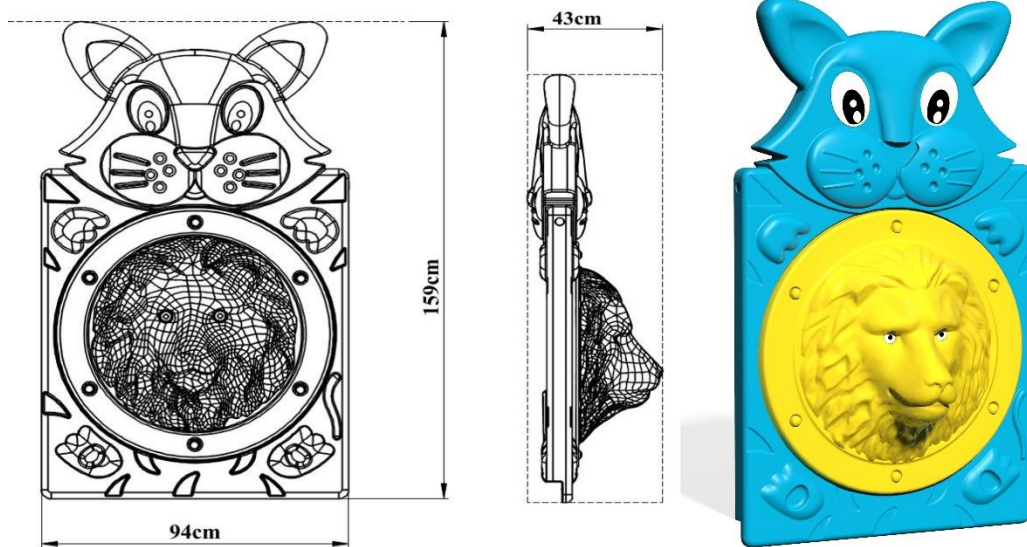
- Lion figured panels are manufactured from self-colored polyethylene LLDPE (Linear Low-Density Polyethylene) material as double-walled by rotation molding method.
- The Lion figured panels are fixed to the main construction with the help of a polyamide-based clamp system with 96x122 cm dimensions, Ø 27 mm diameter from the top.
- The dyestuffs used in coloring are suitable for child health.



<b>Dimensions</b>	Height	122 cm
	Width	96 cm
	Panel thickness	38 cm
<b>Features</b>	Min Weight	13 kg
	Raw material	LLDPE

## Cat-Lion Figured Panel

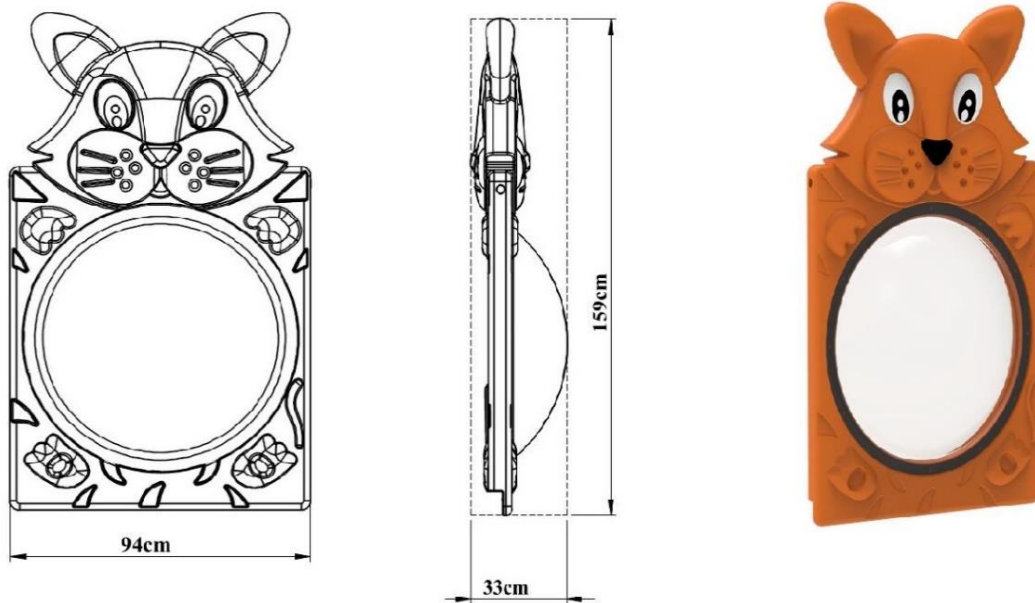
- Cat-Lion figured panels are manufactured from self-colored polyethylene LLDPE (Linear Low-Density Polyethylene) material as double-walled by rotation molding method.
- The Cat-Lion figured panels are fixed to the main construction with the help of a polyamide-based clamp system with 96x122 cm dimensions, Ø 27 mm diameter from the top.
- The dyestuffs used in coloring are suitable for child health.



<b>Dimensions</b>	Height	159 cm
	Width	94 cm
	Panel thickness	43 cm
<b>Features</b>	Min Weight	17 kg
	Raw material	LLDPE

## Cat Panel With Bell Jar

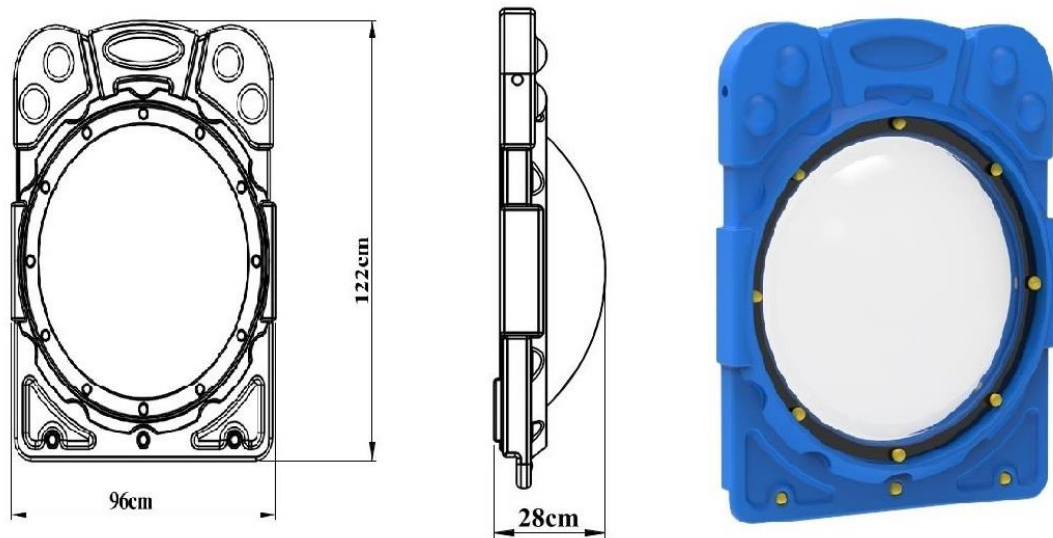
- Cat Panel With Bell Jar are manufactured from self-colored polyethylene LLDPE (Linear Low-Density Polyethylene) material as double-walled by rotation molding method.
- The Cat Panel With Bell Jar are fixed to the main construction with the help of a polyamide-based clamp system with pipes of 94\*159 cm dimensions, Ø 27 mm diameter from the top.
- The dyestuffs used in coloring are suitable for child health.



<b>Dimensions</b>	Height	159 cm
	Width	94 cm
	Panel thickness	33 cm
<b>Features</b>	Min Weight	14 kg
	Raw material	LLDPE

## Bell Jar Panel

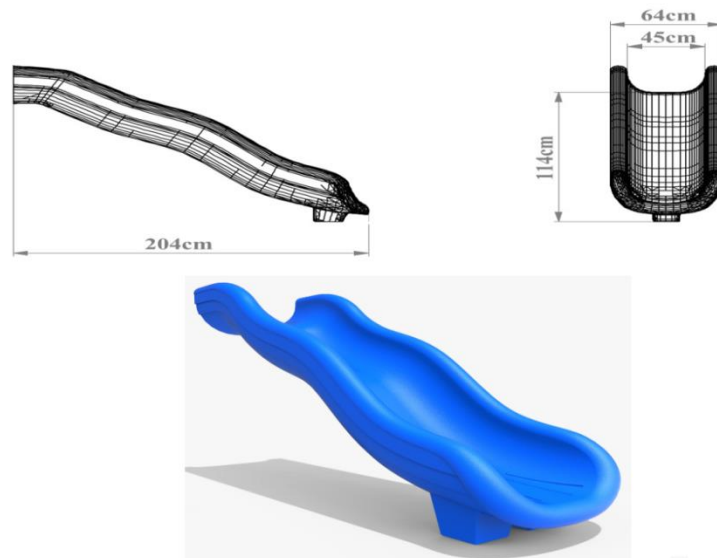
- Bell Jar Panel are manufactured from self-colored polyethylene LLDPE (Linear Low-Density Polyethylene) material as double-walled by rotation molding method.
- The Bell Jar Panel are fixed to the main construction with the help of a polyamide-based clamp system with pipes of 94\*159 cm dimensions, Ø 27 mm diameter from the top.
- The dyestuffs used in coloring are suitable for child health.



<b>Dimensions</b>	Height	122 cm
	Width	96cm
	Input Width	75 cm
<b>Features</b>	Min Weight	10kg
	Raw materials	LLDPE

## H:100 Wavy Slide

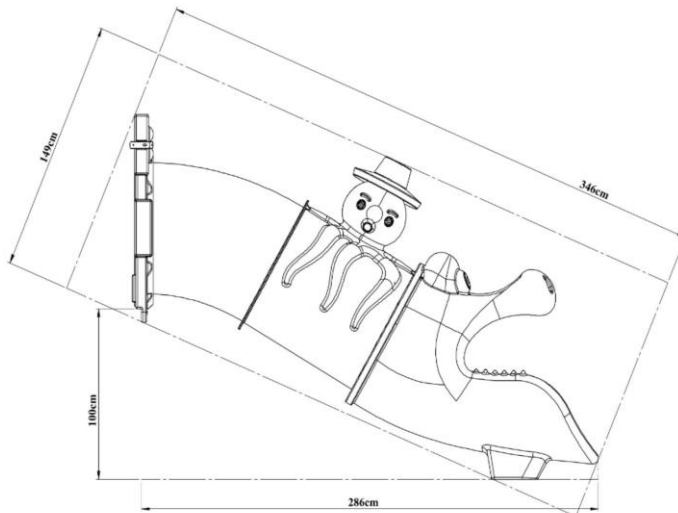
- On the wavy slides connected to the 100 mm high platform; It is manufactured as a single-piece and double-walled LLDPE (Linear Low Density Polyethylene) rotation molding method from self-colored polyethylene plastic material, so that the inclination angle of the slide section with the horizontal does not exceed 60 degrees at any point and 40 degrees on average when the measurement is made according to the longitudinal axis of the slide.
- The slide is fixed to the ground with a metal apparatus from the anchorage point at the bottom of the slide's exit point.
- In order for the product surface to be smooth; Sandblasting is applied to the surface of the mold made of aluminum or its equivalent material, and it is produced by passing the Teflon coating process for surface brightness.
- A flat slide entrance panel is used to ensure safety at the slide entrance.
- LLDPE (Linear Low-Density Polyethylene) from self-colored polyethylene plastic material is produced in one piece by rotation molding method.
- Plastic clamps and vertical mouth connection apparatuses are attached to the  $\varnothing 27$  mm inner pipe ends attached to the inside of the polyethylene flat slide entrance panels and fixed to the  $\varnothing 114$  mm tower pipes.



<b>Dimensions</b>	Platform Height	100 cm
	Side Wall Length	17 cm
	Slide Inner Width	40 cm
	Slide Length	210 cm
<b>Features</b>	Raw material	LLDPE
	Min. Slide Weight	24 kg

## H:100 Figured Tube Slide

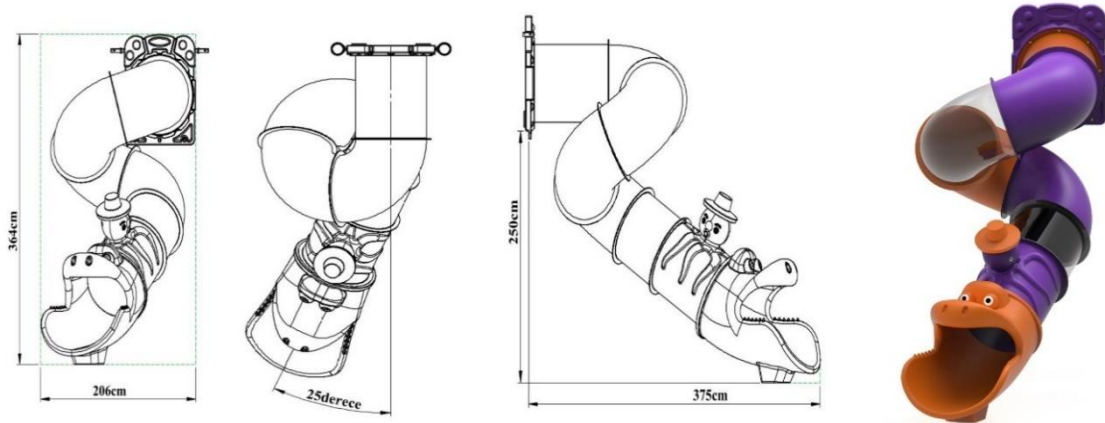
- H:100 figured tube slide with a minimum length of 3,46 m, designed to slide from a platform with a height of 100 cm; tube inlet, 1 pcs 35 degree tube elbow, 1 pcs 80 cm figured tube and figured tube outlet are manufactured from a total of 4 parts and from self-colored polyethylene plastic material LLDPE (Linear Low Density Polyethylene) rotation molding method.
- The product produced as disassembled; It is made a whole by assembling the given tube parts to each other according to the given angles.
- The slide is fixed to the ground with a metal apparatus from the anchorage point at the bottom of the slide's exit point.
- In order for the product surface to be smooth; Sandblasting is applied to the surface of the mold made of aluminum or its equivalent material, and it is produced by passing the Teflon coating process for surface brightness.



<b>Dimensions</b>	Platform Height	100 cm
	Tube Length	346 cm
	Panel Entry Diameter	75 cm
<b>Features</b>	Raw materials	LLDPE
	min. Slide Weight	74 kg

## H:250 Spiral Slide With Transparent Tube

- H:250 spiral tube slide is designed to slide from the platform; It consists of 9 pieces, including 1 pcs tube inlet, 3 pcs 90 degree tube, 1 pcs 90 degree transparent tube, 1 pcs 60 cm transparent tube, 1 pcs 80 cm figured tube, 1 pcs 100 cm tube and 1 figured tube outlet, for support. It is manufactured from polyethylene plastic material LLDPE (Linear Low Density Polyethylene) by rotation molding method and self-colored.
- The product produced as disassembled; It is made a whole by assembling the given tube parts to each other according to the given angles.
- The slide is fixed to the ground with a metal apparatus from the anchorage point at the bottom of the slide's exit point.
- In order for the product surface to be smooth; Sandblasting is applied to the surface of the mold made of aluminum or its equivalent material, and it is produced by passing the Teflon coating process for surface brightness.

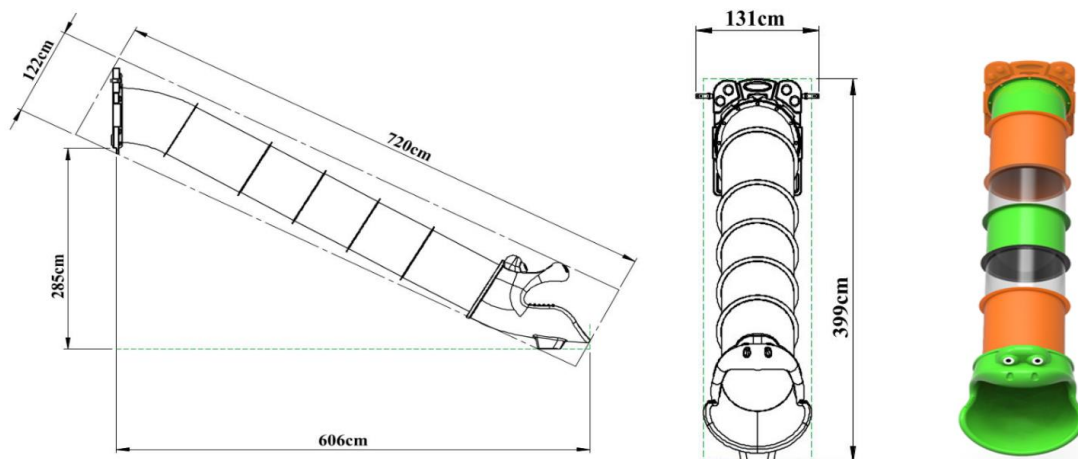


<b>Dimensions</b>	Platform Height	250 cm
	Panel Entry Diameter	75 cm
<b>Features</b>	Raw material	LLDPE
	min. Slide Weight	158 kg



## H:285 Slide With Transparent Tube

- H:285 tube slide is designed to slide from the platform with a height of min. 7,20 cm; It consists of 8 pieces, including 1 pcs tube inlet, 3 pcs 100 cm tube, 1 pcs 35 degree tube, 2 pcs 60 cm transparent tube and 1 figured tube outlet.. It is manufactured from polyethylene plastic material LLDPE (Linear Low Density Polyethylene) by rotation molding method and self-colored.
- The product produced as disassembled; It is made a whole by assembling the given tube parts to each other according to the given angles.
- The slide is fixed to the ground with a metal apparatus from the anchorage point at the bottom of the slide's exit point.
- In order for the product surface to be smooth; Sandblasting is applied to the surface of the mold made of aluminum or its equivalent material, and it is produced by passing the Teflon coating process for surface brightness.

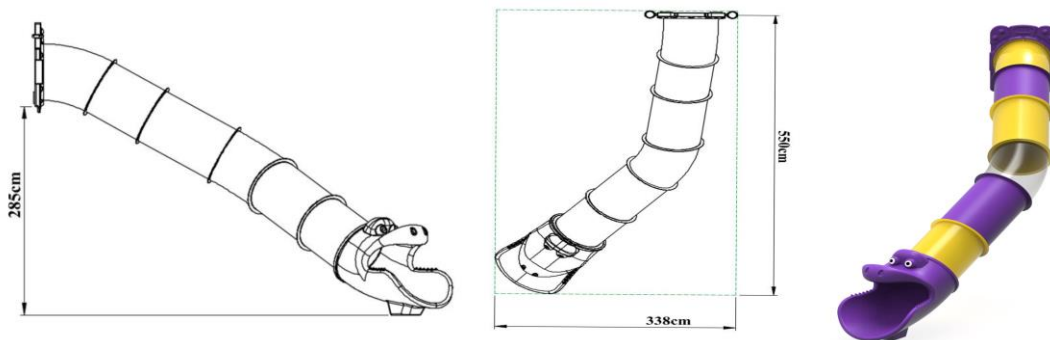


<b>Dimensions</b>	Platform Height	285 cm
	Tube Length	7,20 cm
	Panel Entry Diameter	75 cm
<b>Features</b>	Raw material	LLDPE
	min. Slide Weight	119 kg



## 285 Right Curved Tube Slide With Transparent Tube

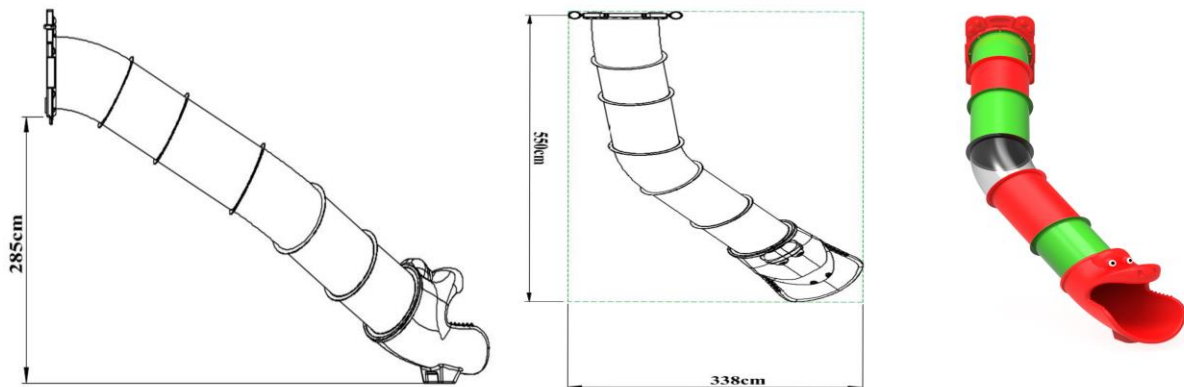
- H:285 tube slide is designed to slide from the platform ; It consists of 8 pieces, including 1 pcs tube inlet, 2 pcs 100 cm tube, 1 pcs 35 degree tube, 1 pcs 35 degree transparent tube, 2 pcs 80 cm tube and 1 figured tube outlet. It is manufactured from polyethylene plastic material LLDPE (Linear Low Density Polyethylene) by rotation molding method and self-colored.
- The product produced as disassembled; It is made a whole by assembling the given tube parts to each other according to the given angles.
- The slide is fixed to the ground with a metal apparatus from the anchorage point at the bottom of the slide's exit point.
- In order for the product surface to be smooth; Sandblasting is applied to the surface of the mold made of aluminum or its equivalent material, and it is produced by passing the Teflon coating process for surface brightness.



<b>Dimensions</b>	Platform Height	285 cm
	Panel Entry Diameter	75 cm
<b>Features</b>	Raw material	LLDPE
	min. Slide Weight	134 kg

## H:285 Left Curved Tube Slide With Transparent Tube

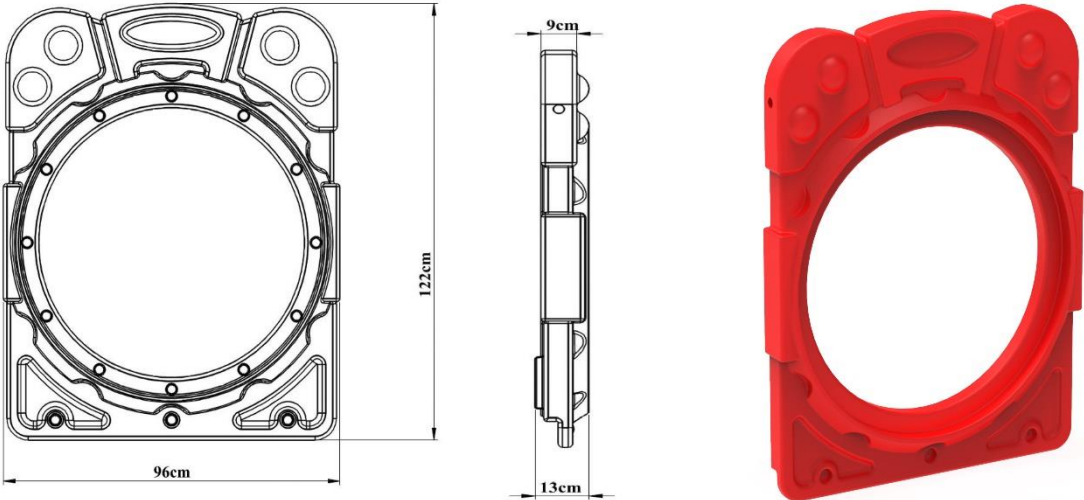
- H:285 tube slide is designed to slide from the platform ; It consists of 8 pieces, including 1 pcs tube inlet, 2 pcs 100 cm tube, 1 pcs 35 degree tube, 1 pcs 35 degree transparent tube, 2 pcs 80 cm tube and 1 figured tube outlet. It is manufactured from polyethylene plastic material LLDPE (Linear Low Density Polyethylene) by rotation molding method and self-colored.
- The product produced as disassembled; It is made a whole by assembling the given tube parts to each other according to the given angles.
- The slide is fixed to the ground with a metal apparatus from the anchorage point at the bottom of the slide's exit point.
- In order for the product surface to be smooth; Sandblasting is applied to the surface of the mold made of aluminum or its equivalent material, and it is produced by passing the Teflon coating process for surface brightness.



<b>Dimensions</b>	Platform Height	285 cm
	Panel Entry Diameter	75 cm
<b>Features</b>	Raw material	LLDPE
	min. Slide Weight	134 kg

# Tube Slide Entry

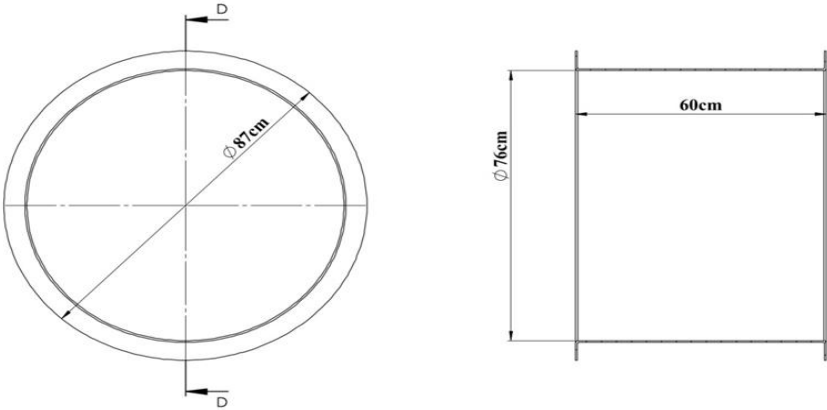
- It is manufactured from self-colored polyethylene plastic material as a one-piece and double-walled by rotation molding method with low density (LLDPE Linear Low-Density Polyethylene) designed to prevent falling into the slide entrances.
- Plastic clamps and vertical mouth connection apparatuses are attached to the Ø 27 mm inner pipe ends attached to the slides, and the Ø 114 mm tower is fixed to the pipes and screwed from the parts of the panels that sit on the platform.
- In order for the product surface to be smooth; It is produced by sandblasting the surface of the mold made of aluminum or its equivalent material and undergoing a Teflon coating process for surface brightness.



<b>Dimensions</b>	Length	122 cm
	Width	96 cm
	Input Width	75 cm
<b>Features</b>	Min. Weight	9 kg
	Raw material	LLDPE

# 60 Cm Transparent Tube

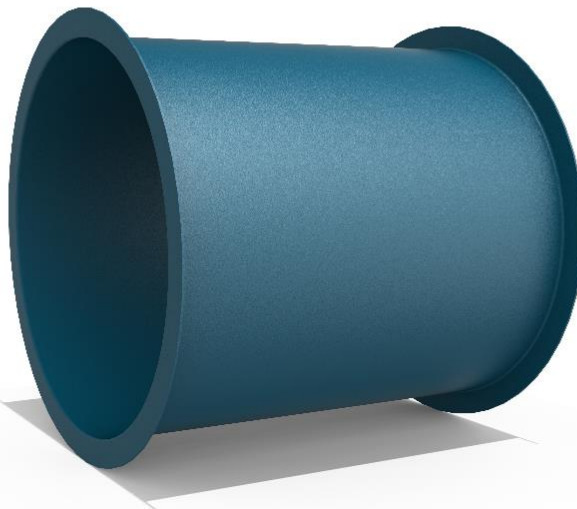
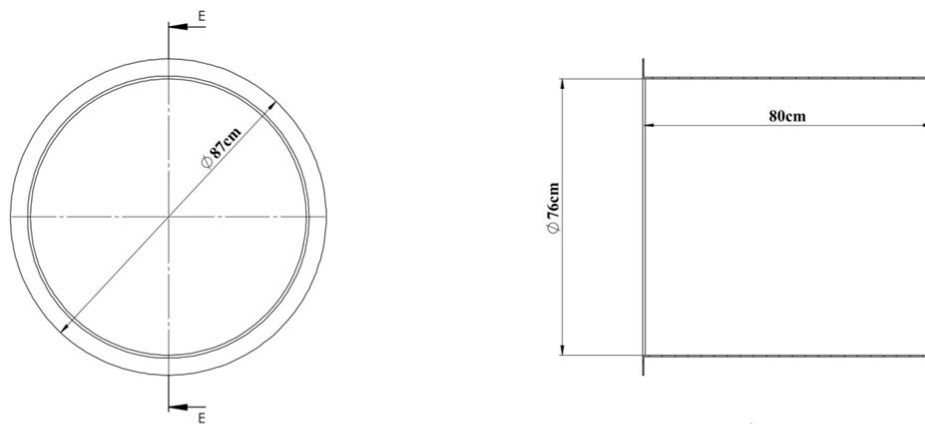
- The 60 cm transparent tubes that make up the tube slides will be made of 6 mm thick transparent acrylic plexiglass material.
- Installation of the product is provided by screwing method.



<b>Dimensions</b>	Tube Length	60 cm
	Tube Diameter	87 cm
<b>Features</b>	Minimum Weight	14 kg
	Raw materials	Plexiglass

## 80 Cm Tube

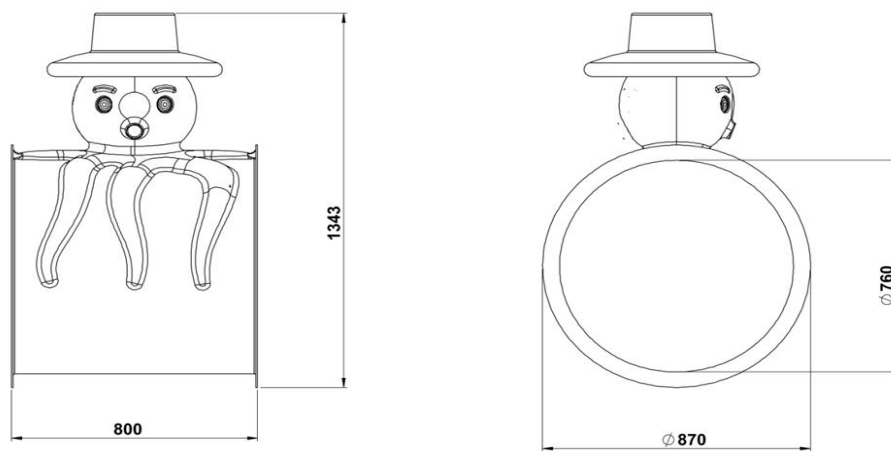
- The 80 cm tubes forming the tube slides are manufactured as a single piece from self-colored polyethylene plastic material, LLDPE (Linear Low Density Polyethylene) rotation molding method.
- Installation of the product is provided by screwing method.
- In order for the product surface to be smooth; Sandblasting is applied to the surface of the mold made of aluminum or its equivalent material, and it is produced by passing the Teflon coating process for surface brightness.



<b>Dimensions</b>	Tube Length	80 cm
	Tube Diameter	87 cm
<b>Features</b>	Minimum Weight	15 kg
	Raw materials	LLDPE

## Figured 80 Cm Tube

- 80 cm figured tubes forming tube slides are manufactured as a single piece from self-colored polyethylene plastic material, LLDPE (Linear Low Density Polyethylene) rotation molding method.
- Installation of the product is provided by screwing method.
- In order for the product surface to be smooth; Sandblasting is applied to the surface of the mold made of aluminum or its equivalent material, and it is produced by passing the Teflon coating process for surface brightness.



<b>Dimensions</b>	Tube Length	80 cm
	Tube Diameter	87 cm
<b>Features</b>	Minimum Weight	19 kg
	Raw materials	LLDPE

# 100 Cm Tube

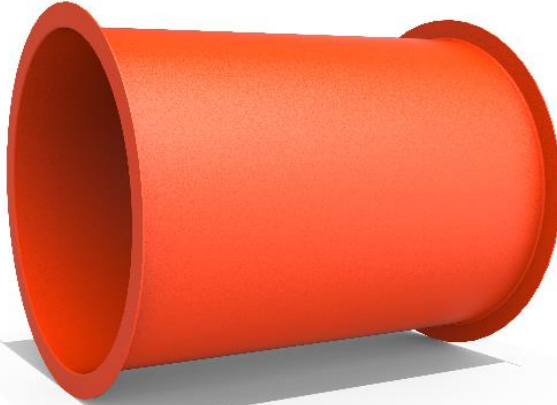
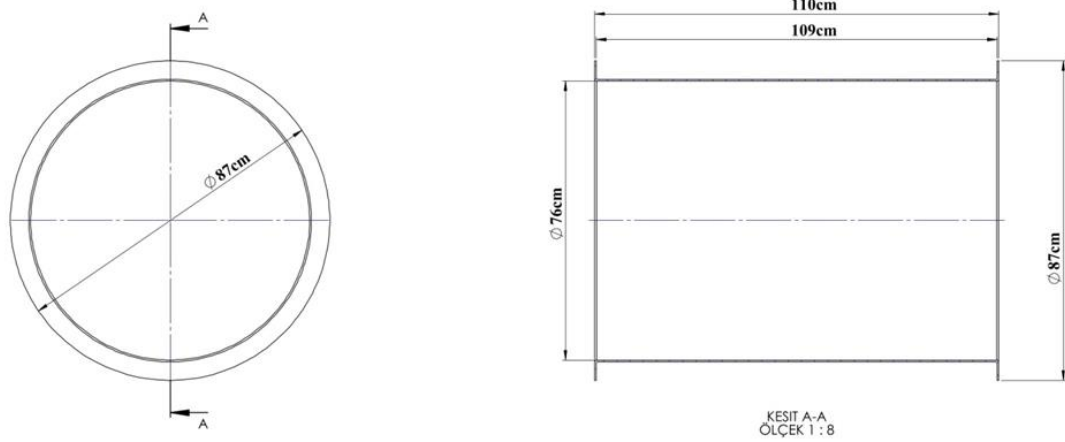
- The 100 cm tubes forming the tube slides are manufactured as a single piece from self-colored polyethylene plastic material, LLDPE (Linear Low Density Polyethylene) rotation molding method.
- Installation of the product is provided by screwing method.
- In order for the product surface to be smooth; Sandblasting is applied to the surface of the mold made of aluminum or its equivalent material, and it is produced by passing the Teflon coating process for surface brightness.



<b>Dimensions</b>	Tube Length	100 cm
	Tube Diameter	87 cm
<b>Features</b>	Minimum Weight	19 kg
	Raw materials	LLDPE

## 110 Cm Tube

- The 110 cm tubes forming the tube slides are manufactured as a single piece from self-colored polyethylene plastic material, LLDPE (Linear Low Density Polyethylene) rotation molding method.
- Installation of the product is provided by screwing method.
- In order for the product surface to be smooth; Sandblasting is applied to the surface of the mold made of aluminum or its equivalent material, and it is produced by passing the Teflon coating process for surface brightness.

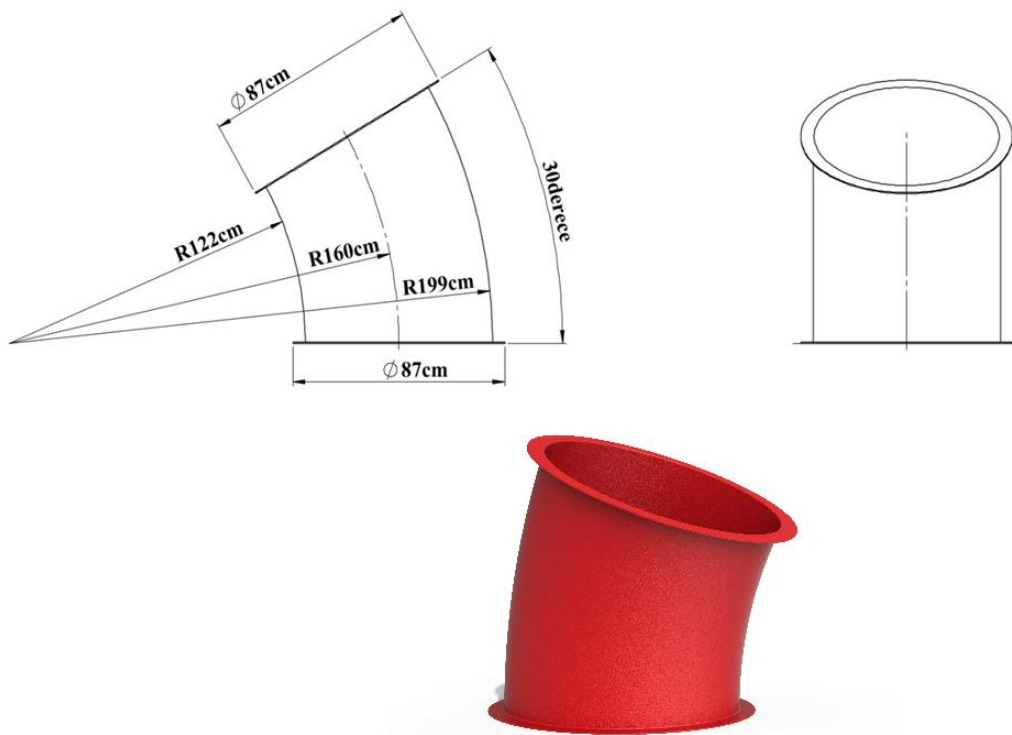


<b>Dimensions</b>	Tube Length	110 cm
	Tube Diameter	87 cm
<b>Features</b>	Minimum Weight	19 kg
	Raw materials	LLDPE



## 35° Tube

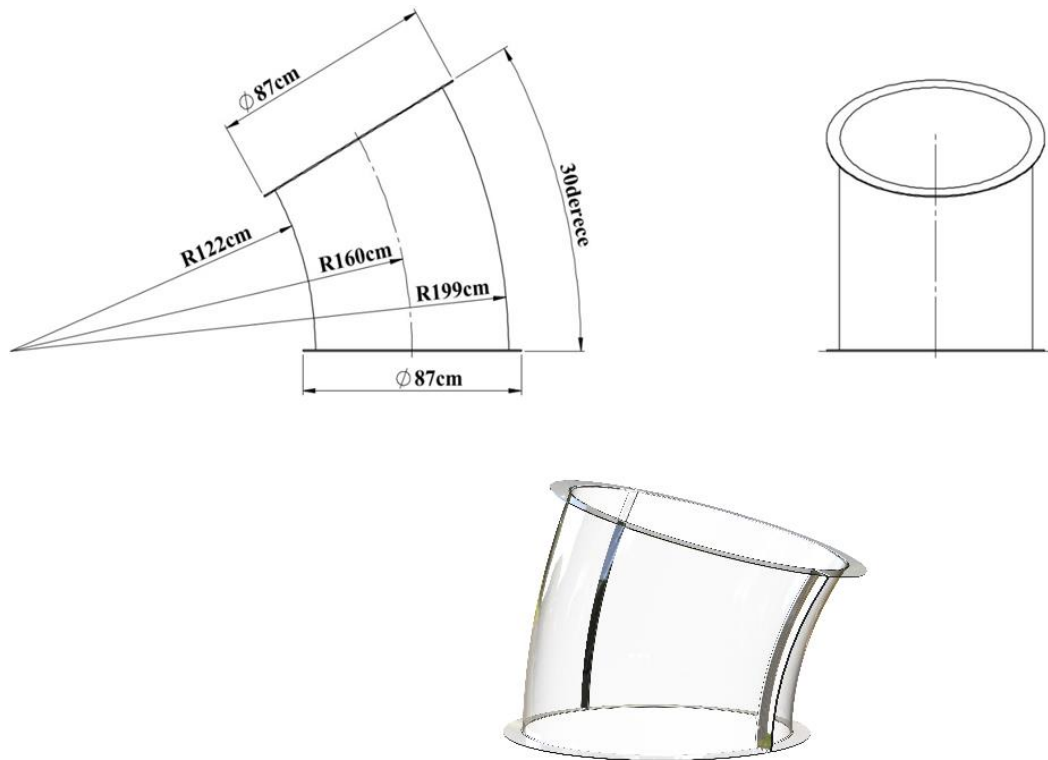
- The 35° tubes that make up the tube slides are manufactured from self-colored polyethylene plastic material, LLDPE (Linear Low Density Polyethylene) by rotation molding method as a single piece, providing an inclination of 35 degrees.
- Installation of the product is provided by screwing method.
- In order for the product surface to be smooth; Sandblasting is applied to the surface of the mold made of aluminum or its equivalent material, and it is produced by passing the Teflon coating process for surface brightness.



<b>Dimensions</b>	Tube Angle	35°
	Tube Diameter	87 cm
<b>Features</b>	Minimum Weight	17 kg
	Raw materials	LLDPE

## 35° Transparent Tube

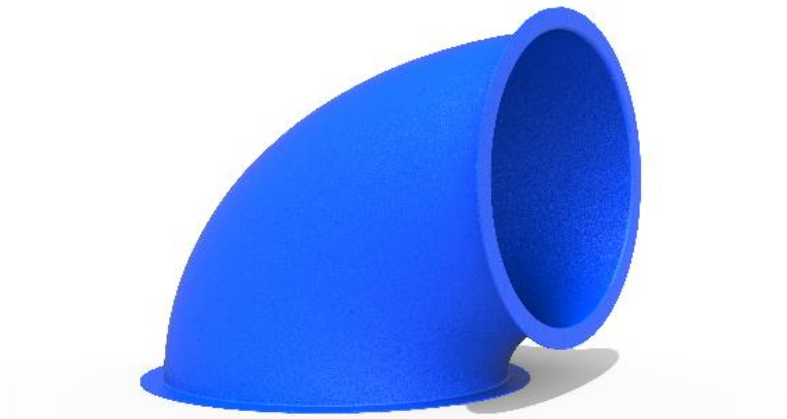
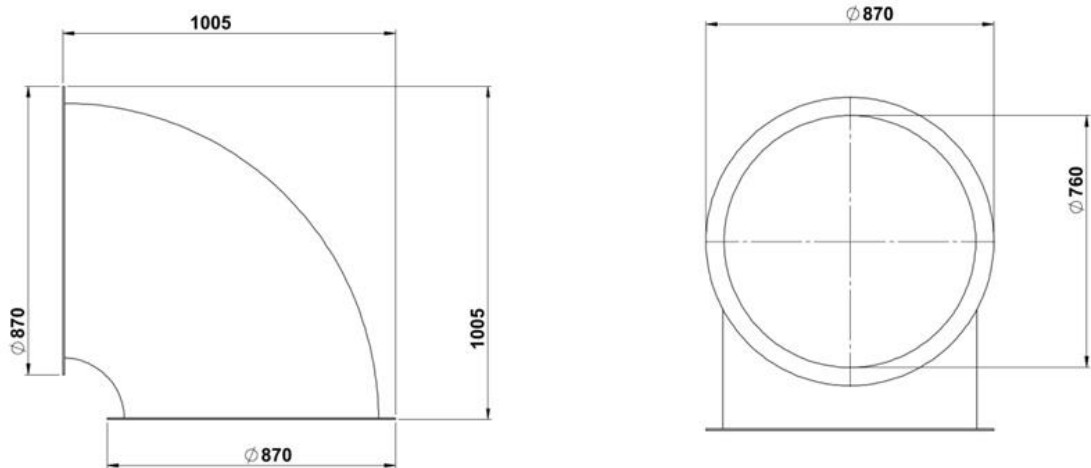
- The 35° transparent tubes forming the tube slides will be made of 6 mm thick transparent acrylic plexiglass material.
- Installation of the product is provided by screwing method.



<b>Dimensions</b>	Tube Angle	35°
	Tube Diameter	87 cm
<b>Features</b>	Minimum Weight	15±5 kg
	Raw materials	Plexiglass

## 90° Tube

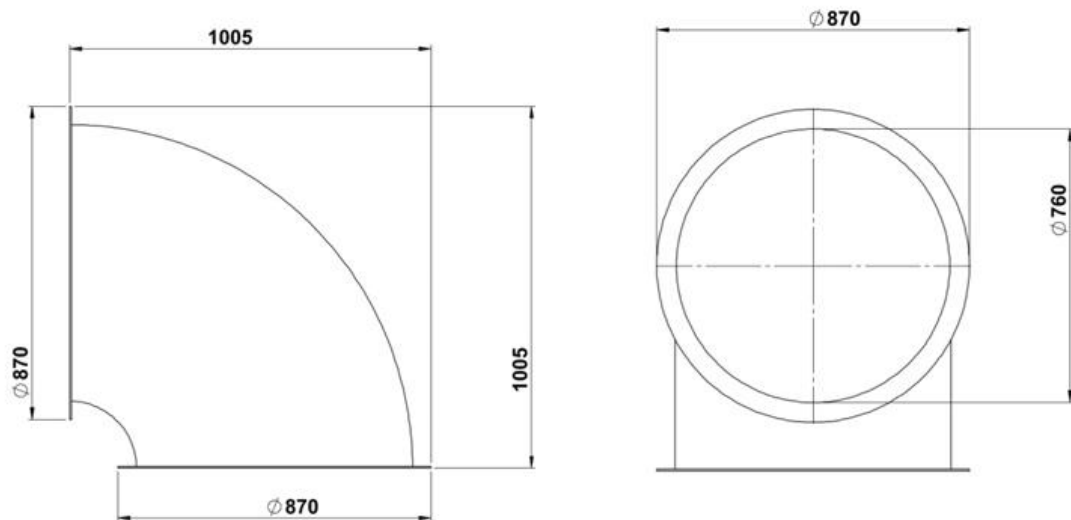
- The 90° tubes that make up the tube slides are manufactured from self-colored polyethylene plastic material, LLDPE (Linear Low Density Polyethylene) by rotation molding method as a single piece, providing an inclination of 90 degrees.
- Installation of the product is provided by screwing method.
- In order for the product surface to be smooth; Sandblasting is applied to the surface of the mold made of aluminum or its equivalent material, and it is produced by passing the Teflon coating process for surface brightness.



<b>Dimensions</b>	Tube Angle	105 cm
	Tube Diameter	87 cm
<b>Features</b>	Minimum Weight	19 kg
	Raw materials	LLDPE

## 90° Transparent Tube

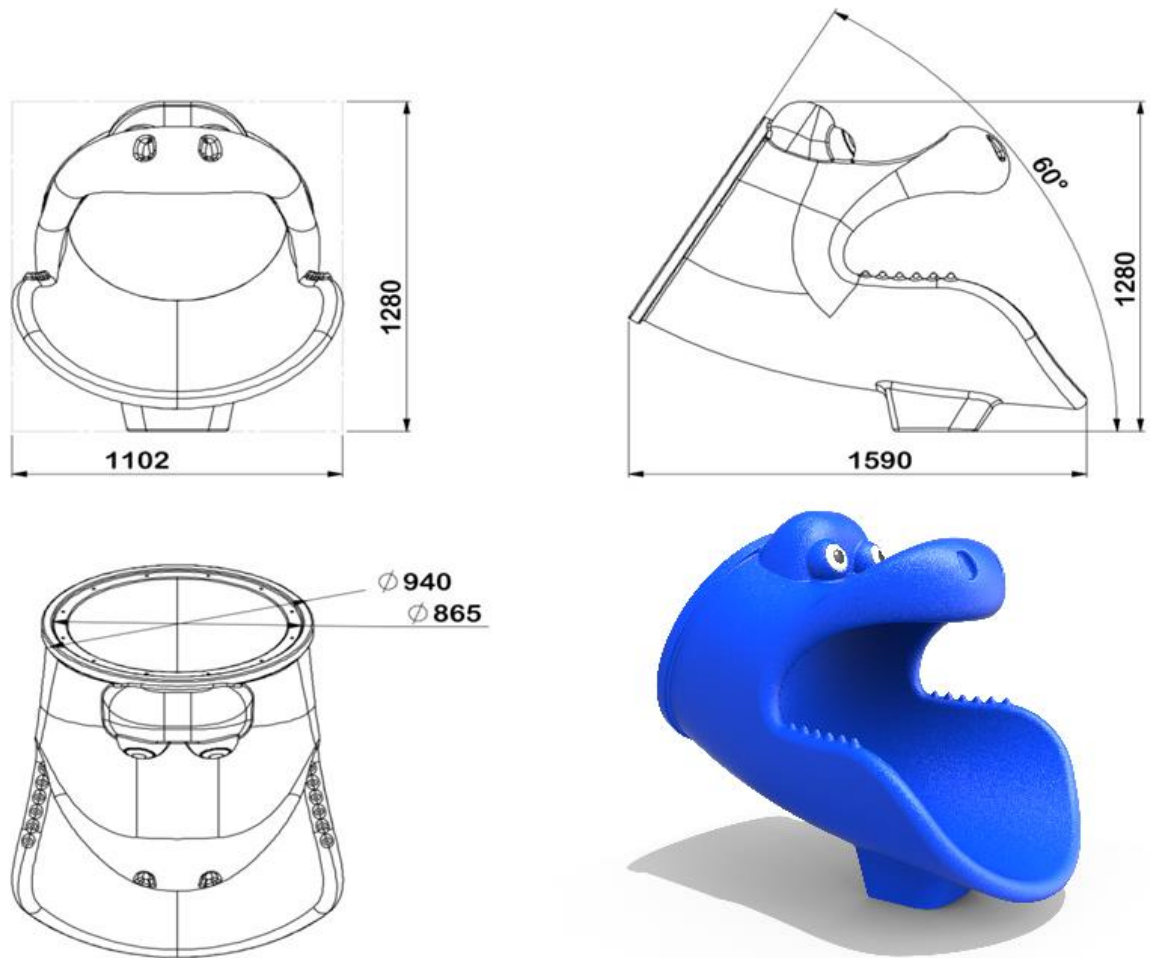
- The 90° transparent tubes forming the tube slides will be made of 6 mm thick transparent acrylic plexiglass material.
- Installation of the product is provided by screwing method.



<b>Dimensions</b>	Tube Angle	110 cm
	Tube Diameter	87 cm
<b>Features</b>	Minimum Weight	15±5 kg
	Raw materials	Plexiglass

## Tube Output

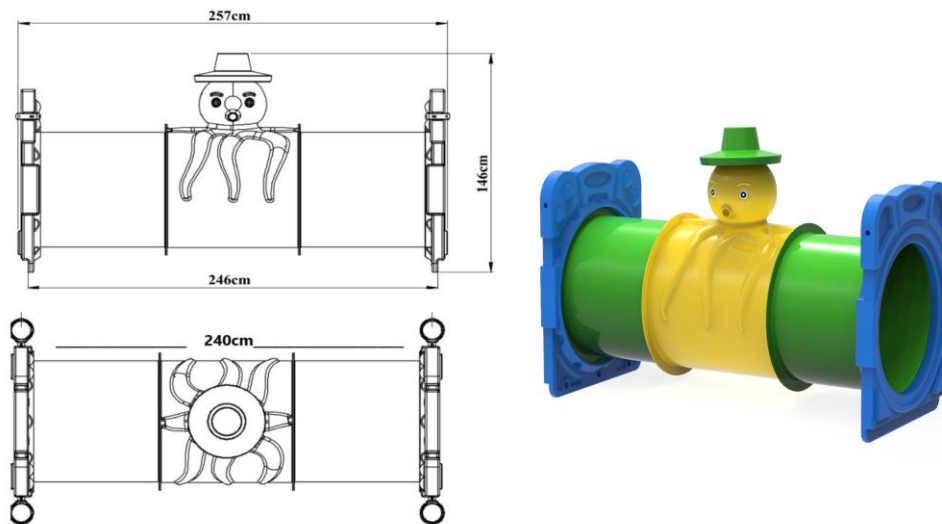
- The tube outlet forming the tube slides is manufactured as a single piece by rotation molding method from self-colored polyethylene plastic material, LLDPE (Linear Low Density Polyethylene) so that the child can come out of the play element safely.
- Installation of the product is provided by screwing method.
- In order for the product surface to be smooth; Sandblasting is applied to the surface of the mold made of aluminum or its equivalent material, and it is produced by passing the Teflon coating process for surface brightness.



<b>Dimensions</b>	Tube Output Length	160 cm
	Tube Outlet Diameter	86 cm
<b>Features</b>	Minimum Weight	25 kg
	Raw materials	LLDPE

## 240 Cm Transparent Tube Passage

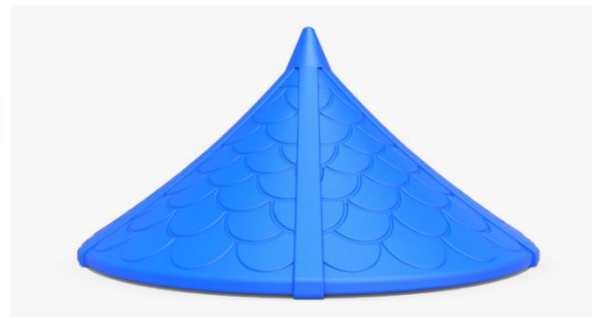
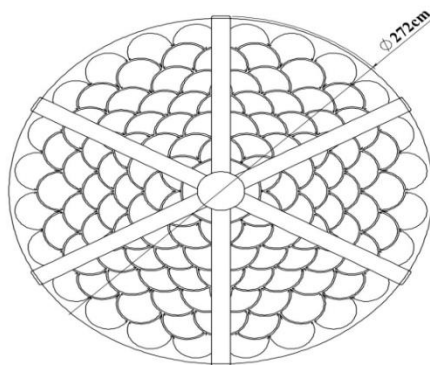
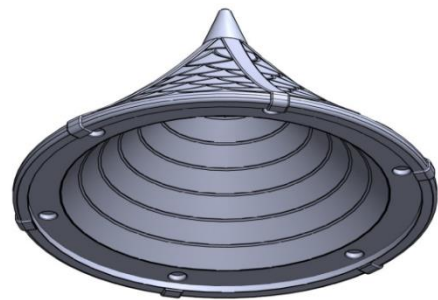
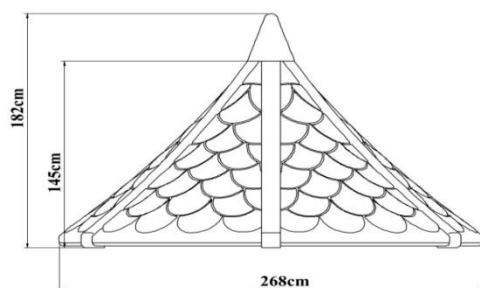
- H:240 inclined transparent tube passage with a minimum length of 2,40 m, designed to allow passage between two platforms; It is manufactured from 5 parts, 2 pcs tube inlet, 2 pcs 80cm tube, 2 pcs 80 cm figured tube and self-colored polyethylene plastic material LLDPE (Linear Low Density Polyethylene) rotation molding method.
- Plastic clamps and vertical mouth connection apparatuses are attached to the ends of Ø 27 inner pipes attached to the tube passages, and 114 towers are fixed to the pipes and screwed from the parts of the panels that sit on the platform.
- The product produced as disassembled; It is made a whole by assembling the given tube parts to each other according to the given angles.
- In order for the product surface to be smooth; Sandblasting is applied to the surface of the mold made of aluminum or its equivalent material, and it is produced by passing the Teflon coating process for surface brightness.



<b>Dimensions</b>	Tube Passage Length	240 cm
	Panel Entry Diameter	75 cm
<b>Features</b>	Min. Weight	67 kg
	Raw material	LLDPE

## Hexagonal Roof

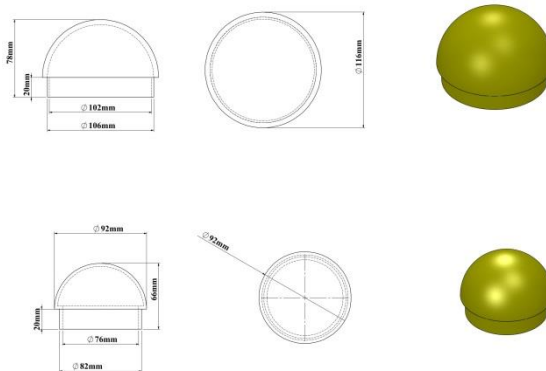
- The hexagonal roof is manufactured from polyethylene plastic material, LLDPE (Linear Low-Density Polyethylene) with a minimum height of 182 cm, by rotation molding method, in ne piece, in self-color.
- In accordance with TS EN 1176-1, when measuring on the platform, the height between the platform and the roof is at least 1800 mm.
- The ideal roof is manufactured to be directly connected to the main construction.
- No connecting element is used in between.



<b>Dimensions</b>	Size	145 cm
	Width	268cm
	Min. Hexagonal Roof Height	182 cm
<b>Features</b>	Min. Hexagonal Roof Weight	85 kg
	Hammadde	LLDPE

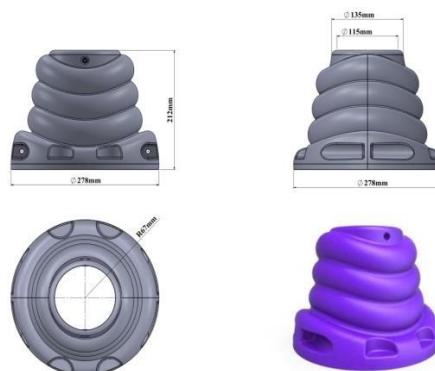
## Ø 114 Hat Plug

- The cap plug is used to close open-ended pipes in children's playgroups, seesaws, swings, and other products.
- The cap plug is manufactured from polyethylene material for indoor and outdoor use.
- The product is resistant to UV lights.
- Its design is oval in a way that does not harm the user.
- It grasps the pipe with its 114 mm double-walled inlet and is easy to install.



## Ø 114 Anchor Cover

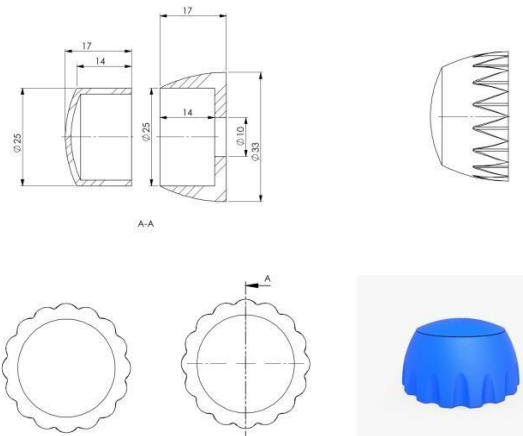
- Anchor caps measuring 114 mm are used to cover open-ended pipes in children's playgrounds, seesaws, swings, and other products.
- Anchor caps are produced from polythene plastic material for indoor and outdoor use.
- It is resistant to UV lights and is designed not to harm the user.
- It is manufactured as double-walled and assembled with a screwing system.





## Screw Concealment

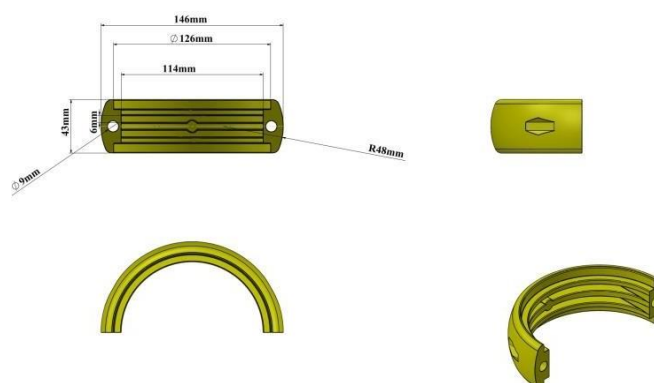
- Screw hides are used in all playgroups to prevent possible accidents and injuries.
- Screw hides; It provides an aesthetic appearance to playgroups and parking elements by allowing mounting elements such as screws and nuts to be hidden.
- Screw closures are produced from polythene plastic material by injection method, suitable for indoor and outdoor use.
- It is resistant to UV lights and is designed not to harm the user.



# Connectors

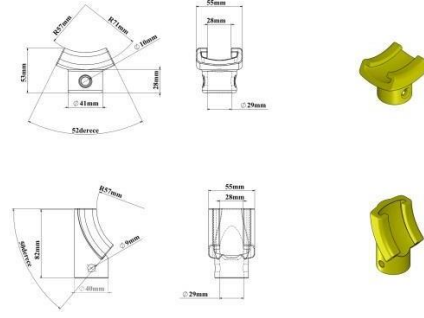
## Ø 114 Plastic Clamps

- Plastic clamps, board on the playgroup, slide entrance, railings, etc. It enables the elements to be mounted on the carrier system with a diameter of 114 mm.
- Clamps are manufactured from fibrous polyamide raw material by injection method.
- The clamp is designed in accordance with the inner diameter 114 mm pipe.
- It does not rotate on the pipe surface when tightened.
- After the clamp is connected, there are no protrusions or sharp corners that may cause injury in any part of the clamp.
- It can be produced in the desired color.



## Ø114 Perpendicular Mouth

- Upright mouth, curved mouth, and platform wedge apparatus are used in the assembly of various playgrounds and sports equipment.
- It is produced from polyethylene material suitable for 114 mm pipe, suitable for indoor and outdoor use.
- The product is resistant to UV lights.
- Its design is in a structure that will not harm the user.
- It can be produced in desired colors.



## Bolts, Nuts and Washers

- The fasteners (bolts, washers, and nuts) used in-game systems are produced as GeometB321 Plus or galvanized coating to protect them against corrosion.
- There are no nut and bolt protrusions anywhere in the playset.
- Except for the camber head nut within the playgroup, all nuts are produced with fiber.

